

October 1997  
Mailed to: E, D, C/29-100A, 31-400A,  
31-500A

# Westinghouse Molded Case Circuit Breakers Engine Generator FG 15-150 Amperes

---

<b>Breaker Description</b>	<b>Page</b>
Type FG Three-Pole .....	1
Type JG Three-Pole .....	3
Type KG Three-Pole .....	5
Type LG Three-Pole .....	7
Type MG Three-Pole .....	9
Type NG Three-Pole .....	11



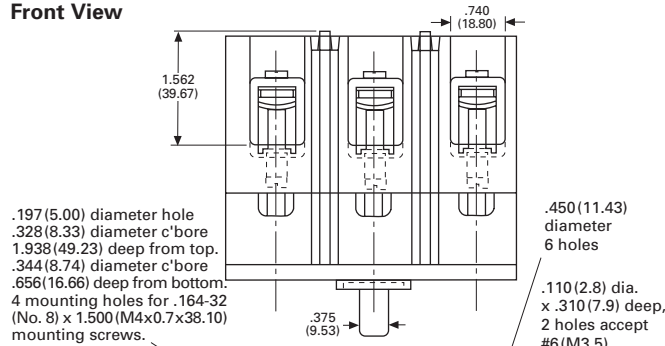
October 1997  
Mailed to: E, D, C/29-100A, 31-400A,  
31-500A

Type FG Three-Pole

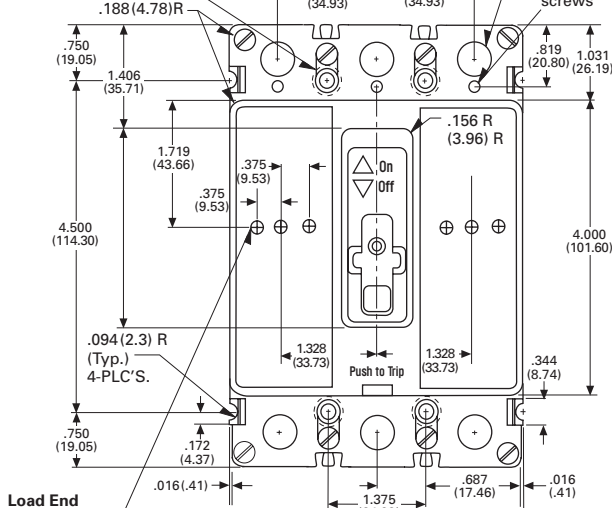
# Westinghouse Molded Case Circuit Breakers Engine Generator FG 15-150 Amperes

## Type FG Three-Pole

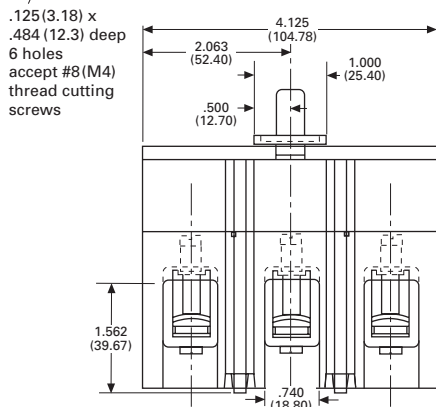
### Front View



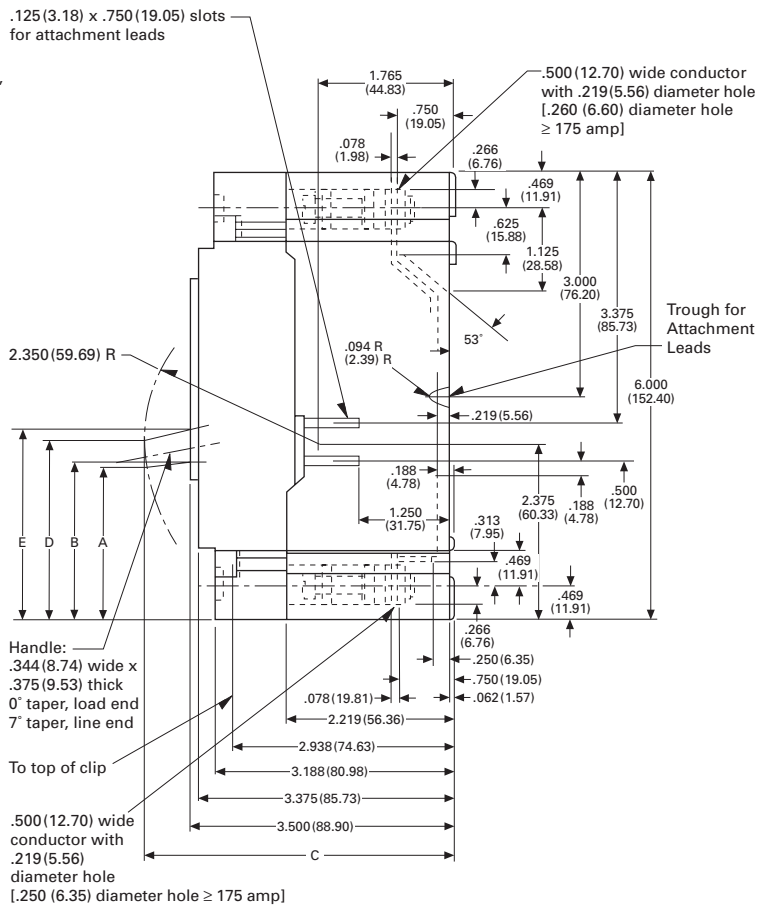
### Line End



### Load End



### Side View



Breaker Status	Dimensions					Handle Force, Lbs. ①
	A	B	C	D	E	
On	3.07 (77.98)	2.92 (74.17)	3.96 (100.58)	3.40 (86.36)	3.33 (84.58)	14 (6.35 kgs.)
Tripped	2.65 (67.31)	2.57 (65.28)	4.06 (103.12)	2.99 (75.94)	2.98 (75.69)	4② (1.81 kgs.)
Off	2.08 (52.83)	2.14 (54.36)	4.12 (104.65)	2.42 (61.47)	2.56 (65.02)	16 (7.26 kgs.)
Reset	1.98 (50.29)	2.05 (52.07)	4.11 (104.39)	2.30 (58.42)	2.48 (63.10)	21 (9.53 kgs.)

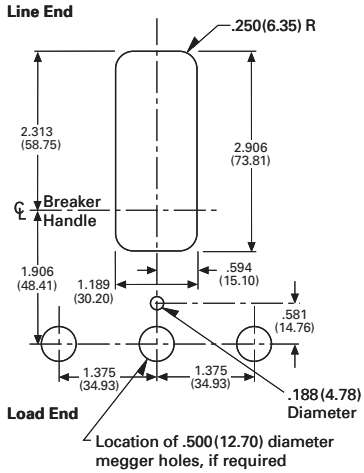
① Measured .125 (3.175) above Escutcheon.

② Applied by breaker handle to external handle mechanism.

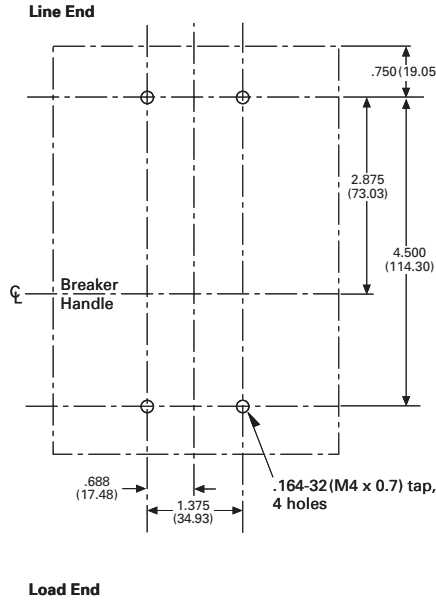


**Westinghouse Molded Case Circuit Breakers, FG Engine Generator  
 Type FG Three-Pole**

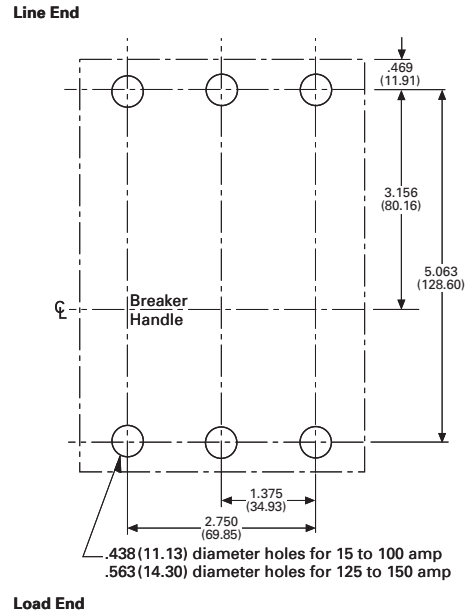
**Front Cover Cutout**



**Drilling Plans  
 Front Connected**



**Rear Connected**



Reproduced from drawings 1490D63 and 1490D67

Dimensions in parentheses in millimeters

**Cutler-Hammer**

Westinghouse & Cutler-Hammer Products  
 Five Parkway Center  
 Pittsburgh, Pennsylvania, U.S.A. 15220

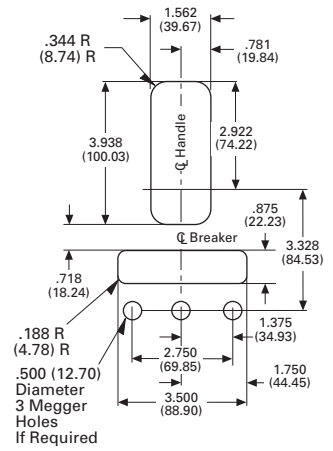
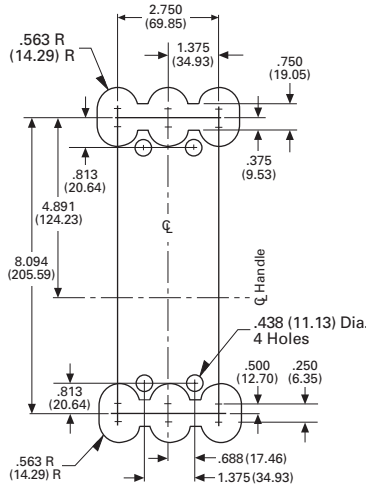
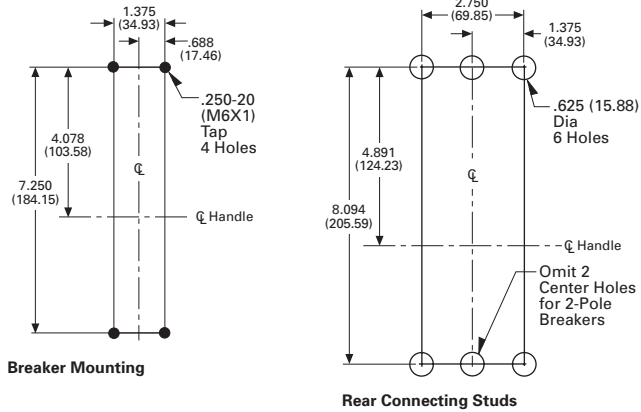






**Westinghouse Molded Case Circuit Breakers, JG Engine Generator  
 Type JG Three-Pole**

**Drilling Plans**

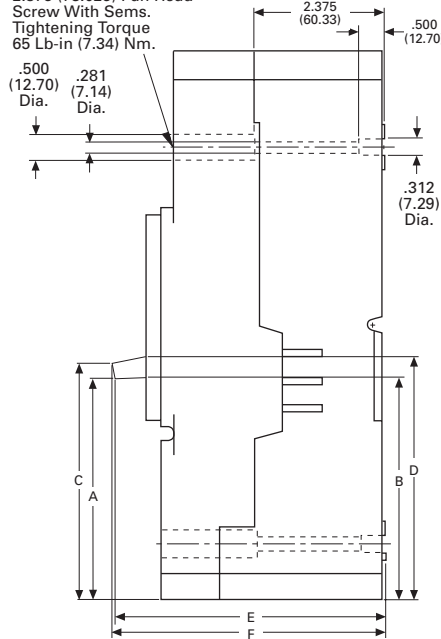


Breaker Mounting

Rear Connecting Studs

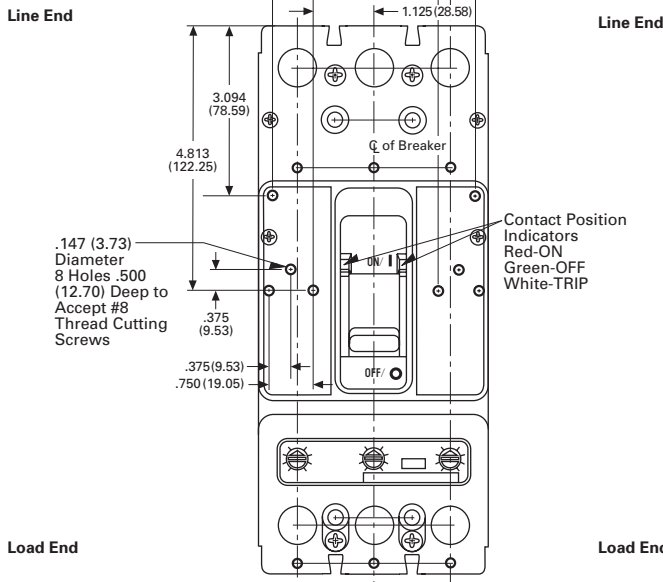
**Drawout Support Blocks**

Breaker Mounting Holes Use .250-20 (M6X1) X 2.875 (73.025) Pan Head Screw With Sems. Tightening Torque 65 Lb-in (7.34) Nm.



**Front Cover Cutout**

**Breaker Shown in OFF Position**



Reproduced from drawings 1491D65 and 1491D67

Dimensions in parentheses in millimeters

Breaker Status	Dimension						Hdl. Oper. Force
	A	B	C	D	E	F	
On	5.24 (132.10)	5.12 (130.05)	5.54 (140.72)	5.49 (139.45)	4.77 (121.56)	4.72 (119.89)	32 Lb. (142.3 Nm)
Tripped	4.79 (121.67)	4.71 (119.63)	5.10 (129.54)	5.10 (129.54)	4.87 (123.70)	4.85 (123.19)	
Off	4.02 (102.11)	4.06 (103.12)	4.33 (109.82)	4.45 (113.03)	4.91 (124.71)	4.95 (125.73)	22 Lb. (97.9 Nm)
Reset	3.91 (99.31)	3.96 (100.58)	4.21 (106.93)	4.36 (110.74)	4.90 (124.46)	4.95 (125.73)	38 Lb. (169.0 Nm)

**Cutler-Hammer**

Westinghouse & Cutler-Hammer Products  
 Five Parkway Center  
 Pittsburgh, Pennsylvania, U.S.A. 15220





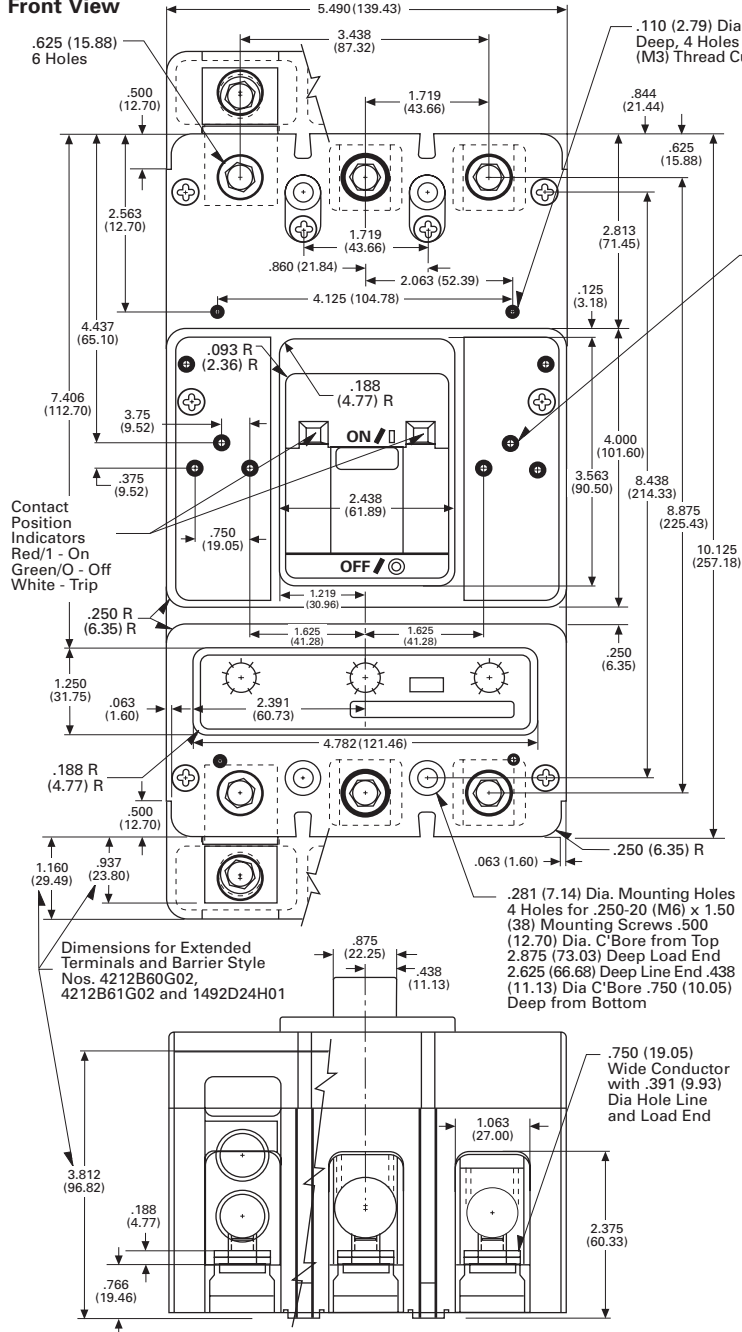
October 1997  
Mailed to: E, D, C/29-100A, 31-400A,  
31-500A

Type KG Three-Pole

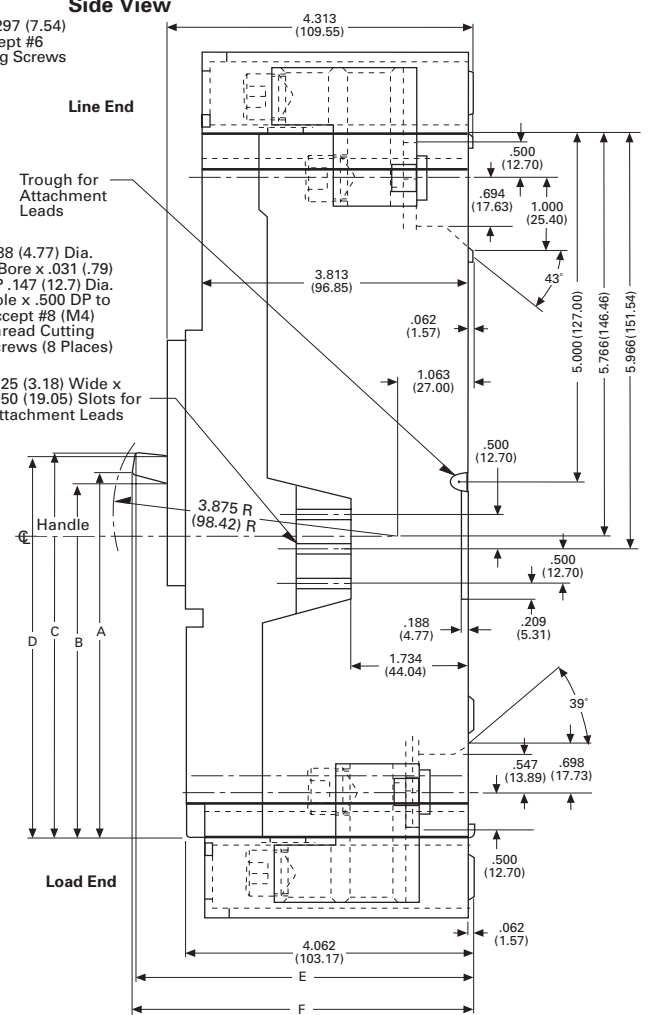
# Westinghouse Molded Case Circuit Breakers Engine Generator KG 300-400 Amperes

## Type KG Three-Pole

### Front View



### Side View



Breaker Status	Dimensions						Handle Force <sup>①</sup>
	A	B	C	D	E	F	
On	5.39 (136.9)	5.20 (132.1)	5.69 (144.5)	5.61 (142.5)	4.72 (119.9)	4.77 (121.2)	30 lbs. (13.61 kgs.)
Tripped	4.77 (121.2)	4.69 (119.1)	5.08 (129.0)	5.11 (129.8)	4.89 (124.2)	4.89 (124.2)	—
Off	4.16 (105.7)	4.21 (106.9)	4.46 (113.3)	4.64 (117.9)	4.95 (125.7)	4.91 (124.7)	25 lbs. (11.34 kgs.)
Reset	4.07 (103.4)	4.14 (105.2)	4.57 (116.1)	4.56 (115.8)	4.95 (125.7)	4.90 (124.5)	35 lbs. (15.87 kgs.)

① All handle forces measured approximately 0.125 (3.17) from top of handle.

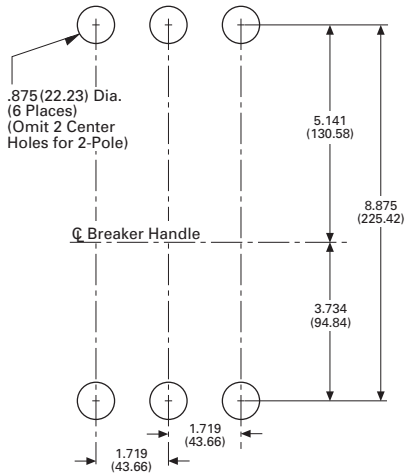
Reproduced from drawings 1492D64 and 1492D68  
Dimensions in parentheses in millimeters



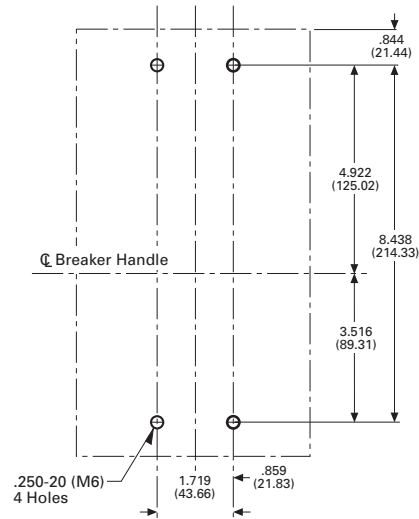


**Westinghouse Molded Case Circuit Breakers, KG Engine Generator  
 Type KG Three-Pole**

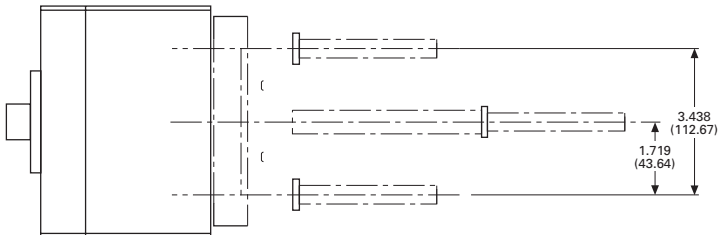
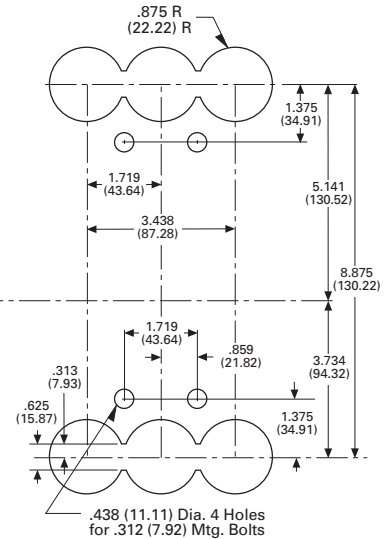
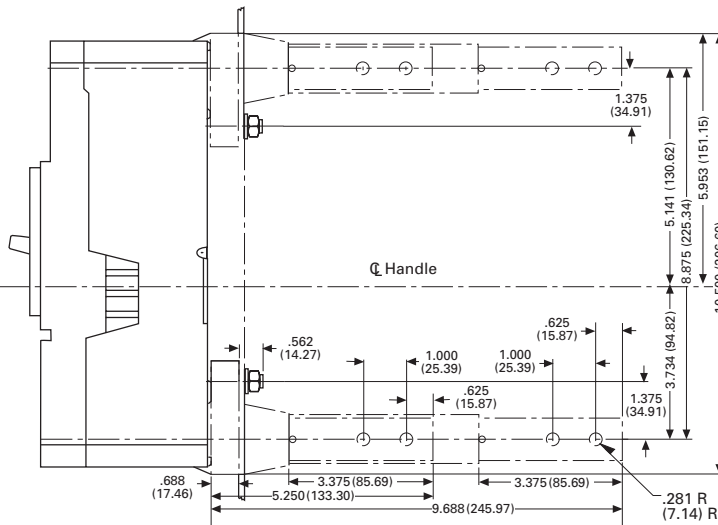
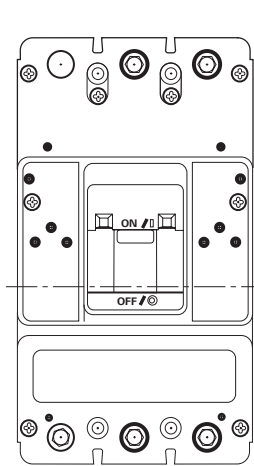
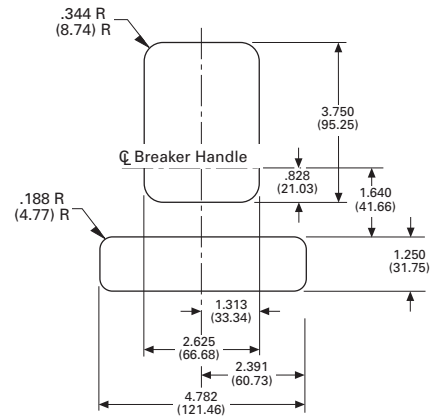
**Rear Connected Studs**



**Front Connected Terminals**



**Front Cover Cutout**



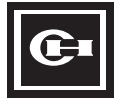
Reproduced from drawings 1492D63 and 1492D67  
 Dimensions in parentheses in millimeters

**Cutler-Hammer**

Westinghouse & Cutler-Hammer Products  
 Five Parkway Center  
 Pittsburgh, Pennsylvania, U.S.A. 15220







**Westinghouse Molded Case Circuit Breakers, LG Engine Generator  
 Type LG Three-Pole**

**Drilling Plans  
 For Mounting Bolts  
 (Front Connected Terminals)**

**For Rear Connected Studs  
 (Insulated Panel)**

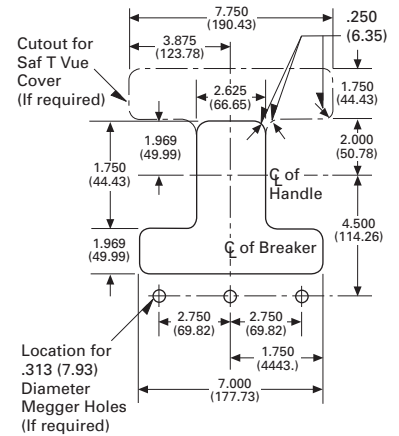
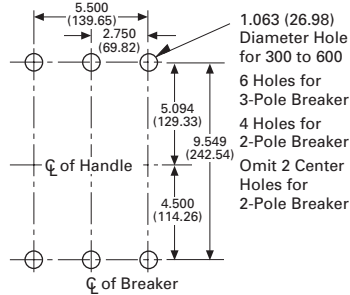
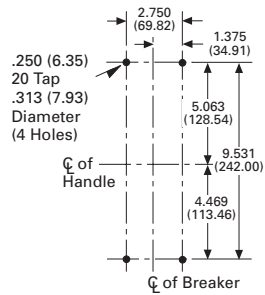
**For Plug-In Block**

**Front Cover Cutout**

**Line End**

**Line End**

**Line End**

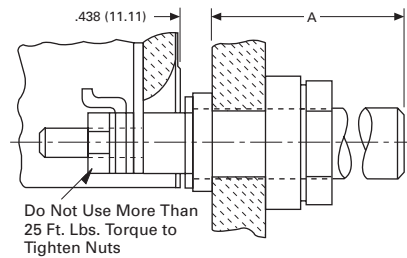


**Load End**

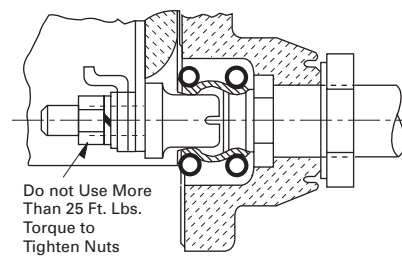
**Load End**

**Load End**

**Rear Connected Studs**



**Plug-In- Adapter Kit**



**Terminal Arrangements**

**Copper Cable Only**  
 (Must be Ordered Separately)  
 Cat. #TA600LA Wire Size (2) 250-500 MCM

**Optional AL/CU Cable**  
 (Must be Ordered Separately)  
 Cat. #TA600LA Wire Size (2) 250-500 MCM

Ampere Rating	Style Number	Thread Size	Dimension A
300 to 600	314C960G07	1-12	5 <sup>15</sup> / <sub>32</sub>
300 to 600	314C960G08	1-12	7 <sup>31</sup> / <sub>32</sub>
300 to 600	314C960G09	1-12	10 <sup>15</sup> / <sub>32</sub>

Poles	Ampere Rating	Kit Style Number	Thread Size
2	300 to 600	313C644G50	1-12
3	300 to 600	313C644G51	1-12

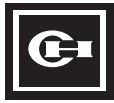
Reproduced from drawing 2608D93

Dimensions in parentheses in millimeters

**Cutler-Hammer**

Westinghouse & Cutler-Hammer Products  
 Five Parkway Center  
 Pittsburgh, Pennsylvania, U.S.A. 15220





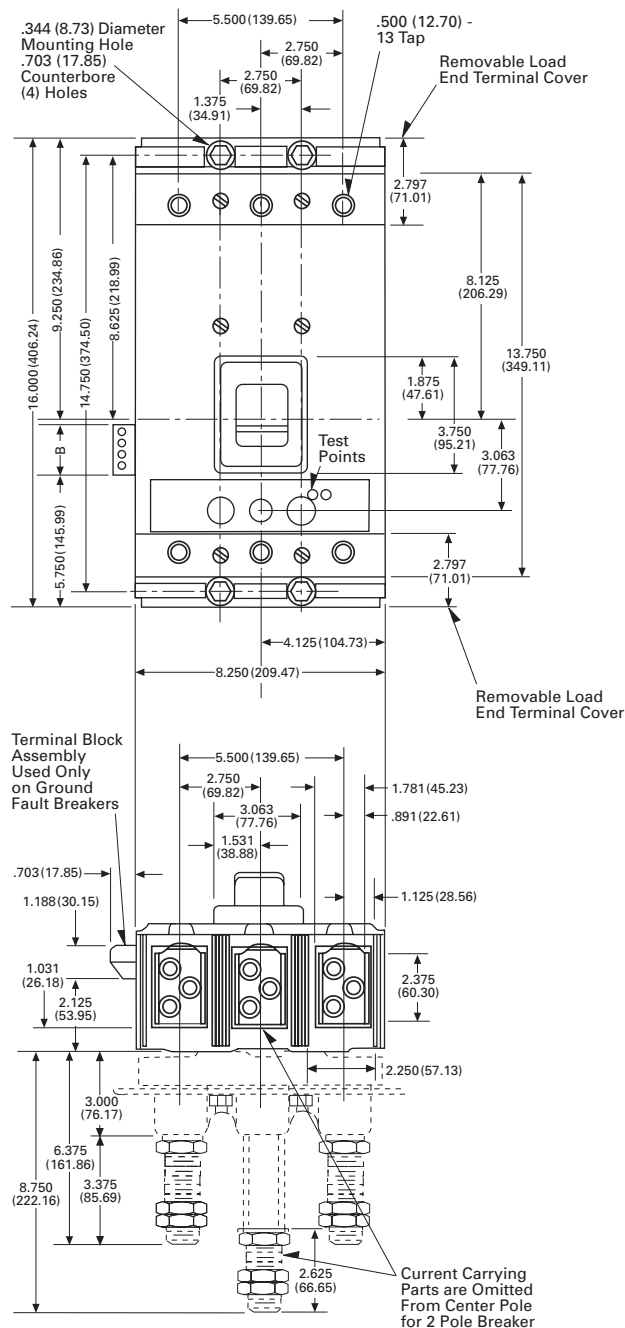
October 1997  
Mailed to: E, D, C/29-100A, 31-400A,  
31-500A

Type MG Three-Pole

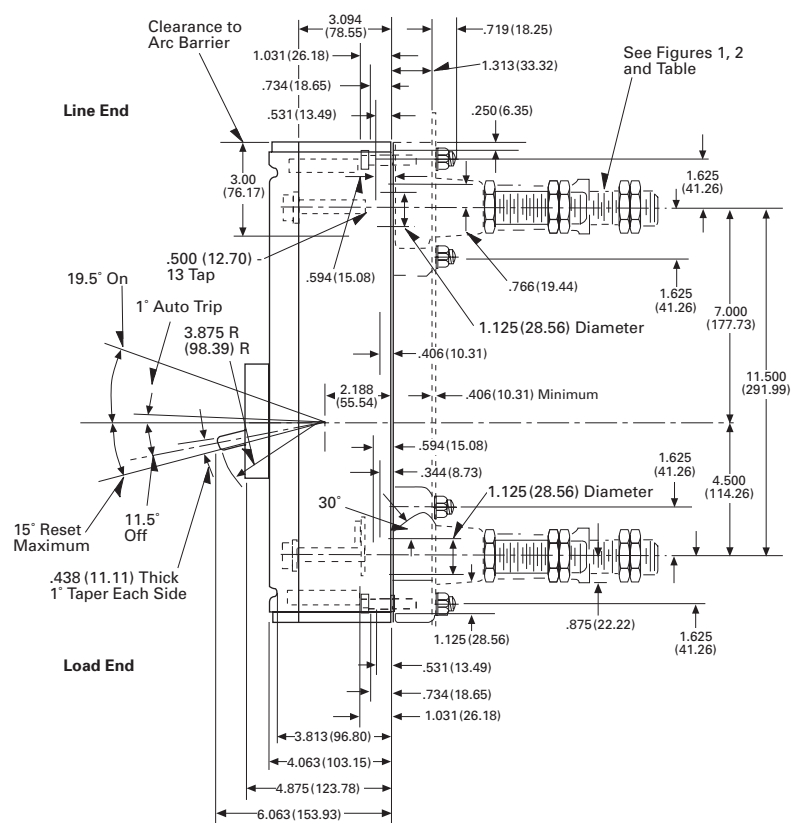
# Westinghouse Molded Case Circuit Breakers Engine Generator MG 700-800 Amperes

## Type MG Three-Pole

### Front View



### Side View



### Handle Forces (From End of Handle)

On	50 lbs. (22.68 kgs.)
Off	24 lbs. (10.89 kgs.)
Reset	60 lbs. (27.22 kgs.)

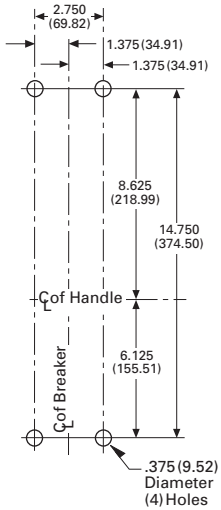
Reproduced from drawing 2605D21  
Dimensions in parentheses in millimeters



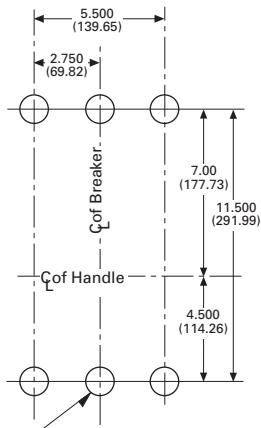


**Westinghouse Molded Case Circuit Breakers, Type MG Three-Pole  
MG 700-800 Amperes**

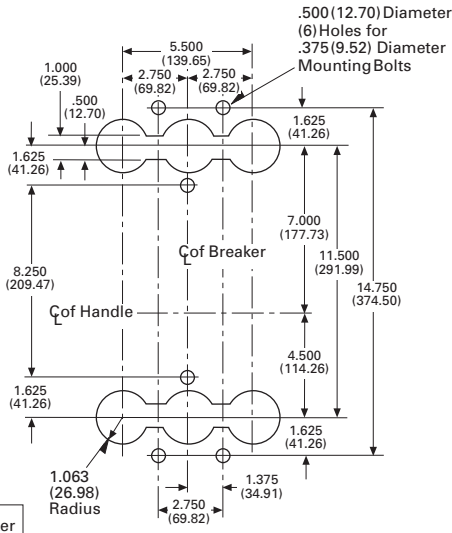
**For Mounting Block**  
(Front Connected Terminals)



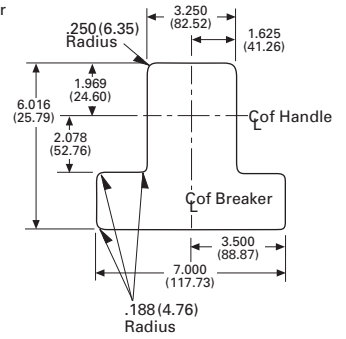
**For Rear Connected Studs**



**For Plug-In Adapter Kit**



**Front Cover Cutout**



.813 (20.63) Diameter Hole for 250 Ampsto400Amps  
1.063 (26.98) Diameter Hole for 450Ampsto600Amps  
1.188 (30.15) Diameter Hole for 700Ampsto800Amps  
6 Holes for 3 Pole Breaker  
4 Holes for 2 Pole Breaker  
Omit 2 Center Holes for 2 Pole Breaker

**Front Connected Terminals**  
(Must be Ordered Separately)

Amp Rating	Catalog Number	Wire Size Number of Cables
For Al/Cu Cable		
600	TA700MA1	(2) #1-500 MCM
800	TA800MA2	(3) 3/0-400 MCM
For Copper Cable		
600	T600MA1	(2) 2/0-500 MCM
800	T800MA1	(3) 3/0-300 MCM

**Rear Connected Studs**  
2 Required Per Pole (Not Supplied With Breaker)

Stud Ampere Rating	Stud Style Number	Thread Size	Dimension A
250-400	314C960G04	3/4-16	5 <sup>29</sup> / <sub>32</sub>
250-400	314C960G05	3/4-16	8 <sup>13</sup> / <sub>32</sub>
250-400	314C960G06	3/4-16	10 <sup>29</sup> / <sub>32</sub>
450-600	314C960G07	1-12	5 <sup>29</sup> / <sub>32</sub>
450-600	314C960G08	1-12	8 <sup>13</sup> / <sub>32</sub>
450-600	314C960G09	1-12	10 <sup>29</sup> / <sub>32</sub>
700-800	314C960G10	1 1/8-12	5 <sup>29</sup> / <sub>32</sub>
700-800	314C960G11	1 1/8-12	8 <sup>13</sup> / <sub>32</sub>
700-800	314C960G12	1 1/8-12	10 <sup>29</sup> / <sub>32</sub>

**Plug-In Adapter Kit**  
1 Kit Per Breaker (Not Supplied With Breaker)

Poles	Ampere Rating	Kit Style Number	Thread Size	Fig.
2	125-600	313C644G27	1 1/8-12	1
3	125-600	313C644G28	1 1/8-12	1
2	700-800	313C544G01	1 1/8-12	2
3	700-800	313C544G02	1 1/8-12	2

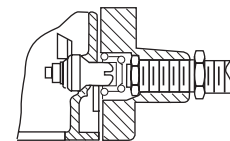
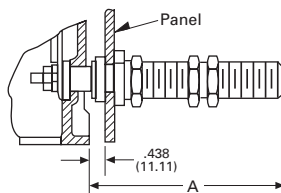


Figure 1

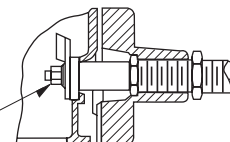


Figure 2

Reproduced from drawing 260D521

Dimensions in parentheses in millimeters

**Cutler-Hammer**

Westinghouse & Cutler-Hammer Products  
Five Parkway Center  
Pittsburgh, Pennsylvania, U.S.A. 15220





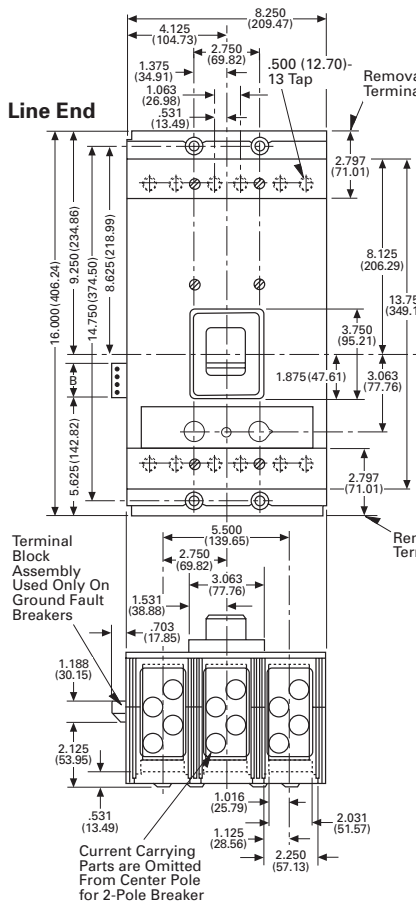
October 1997  
Mailed to: E, D, C/29-100A, 31-400A,  
31-500A

Type NG Three-Pole

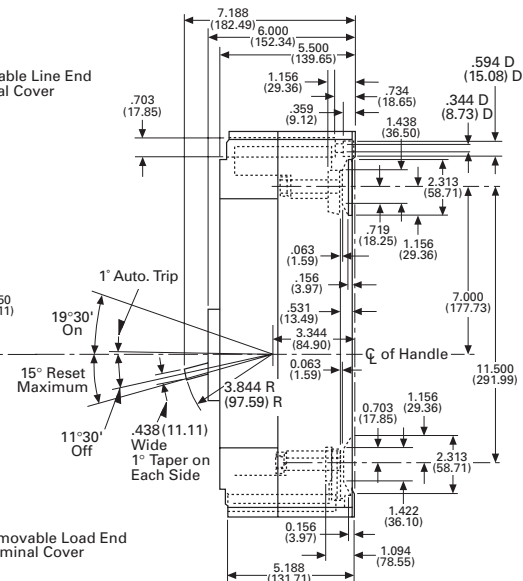
# Westinghouse Molded Case Circuit Breakers Engine Generator NG 900-1200 Amperes

## Type NG Three-Pole

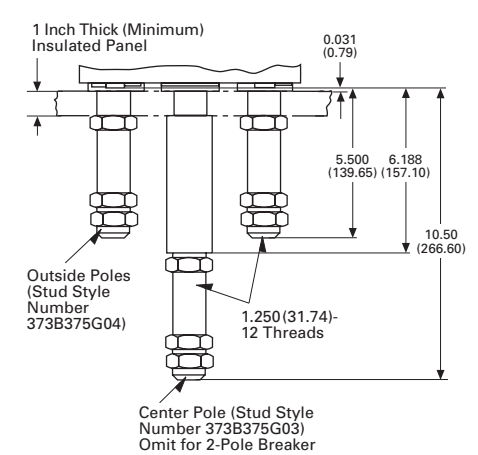
### Front View



### Side View



### Bolted Rear Connected Studs



### Front Connected Terminals

(Must be Ordered Separately)

Amp Rating	Catalog Number	Wire Size	Number of Cables
1000	TA1000NB1	(3) 3/0-400 MCM	
1200	TA1200NB1	(4) 4/0-500 MCM	

For Al/Cu Cable

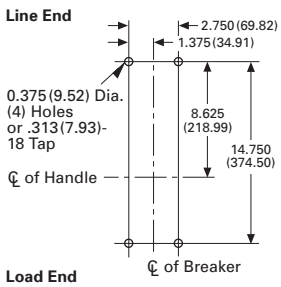
### Load End

	B
2 Terminal Unit	1 <sup>3</sup> / <sub>16</sub>
3 Terminal Unit	1 <sup>9</sup> / <sub>16</sub>

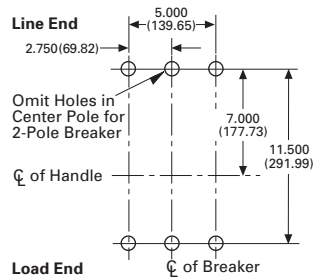


**Westinghouse Molded Case Circuit Breakers, Type NG Three-Pole  
 NG 900-1200 Amperes**

**Drilling Plans  
 For Mounting Bolts**

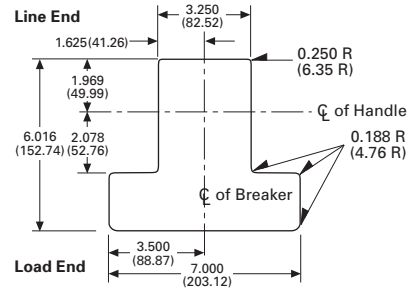


**For Rear Connected Studs  
 (Insulated Panel)**



Amp Rating	Hole Dia.
700-800	1 <sup>3</sup> / <sub>16</sub>
900-1200	1 <sup>5</sup> / <sub>16</sub>

**Front Cover Cutout**



**Cutler-Hammer**

Westinghouse & Cutler-Hammer Products  
 Five Parkway Center  
 Pittsburgh, Pennsylvania, U.S.A. 15220

