



# ***XT* IEC CMC Combination Motor Controller**

**February 6, 2008**

# XT CMC Value Messages



## *Product Approval and Ratings*

- Approval: Meets CSA 22.2 No.14 latest requirements (rating label/CPT Incl.)
  - Fully rated CSA plugs & terminals
- Factory tested including dielectric
- Power ratings:
  - Voltage: 120 to 600 V AC
- Power: 1 to 25HP
- Short circuit trips at 14 times FLA dial

## *Keeping you and your customers safe*

- Contactors and MMP O/L IP20 rated
- Design heat tested & CSA witnessed
- Contactor & O/L RoHS compliance, for environmental safety
- No room for error, pre-assembled at the factory with max. rating nameplate provided

## *Small Size, Big Expectations*

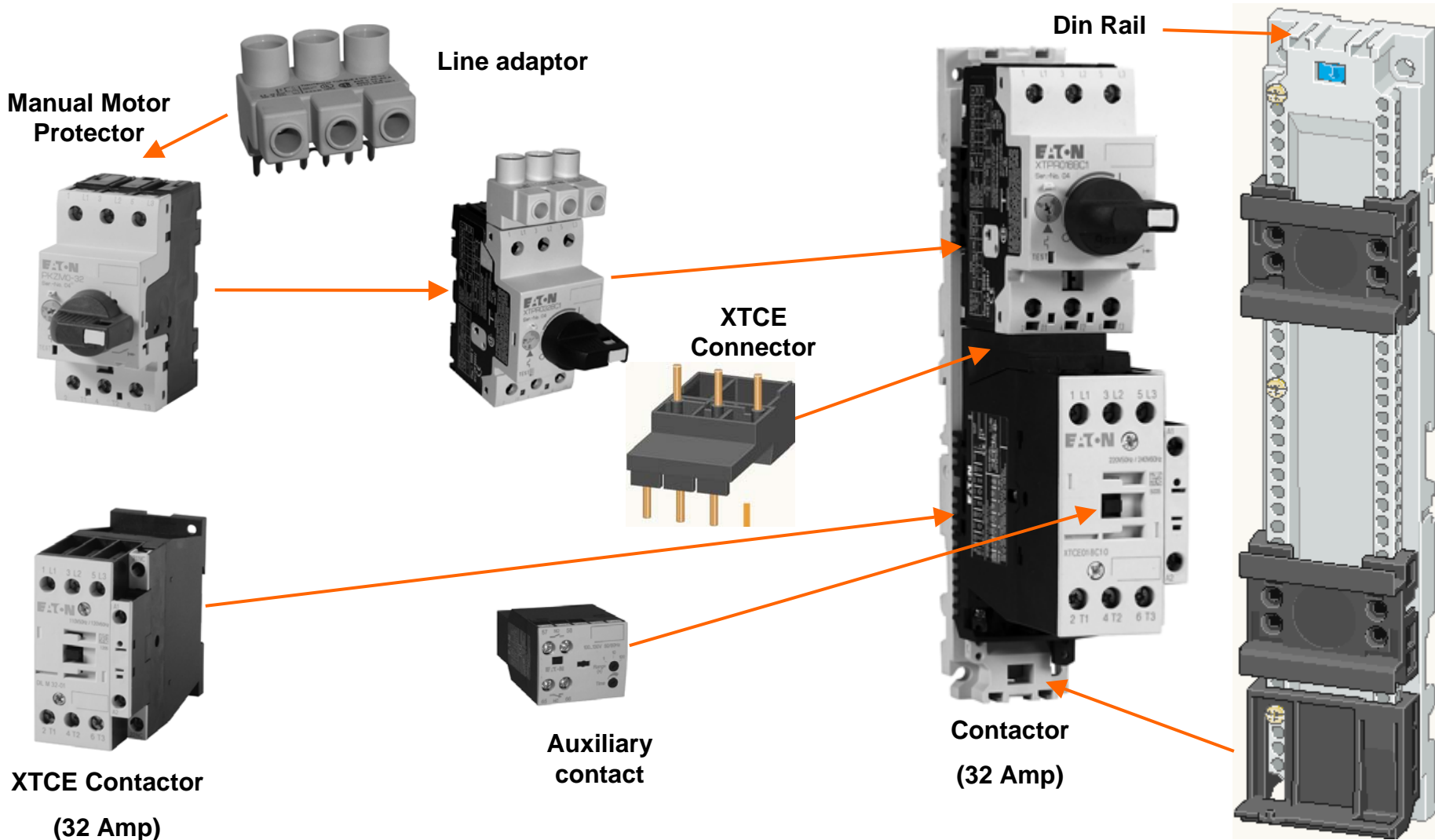
- Low Power Consumption Coils extended life and lower heat dissipation
- Compact modular components
- 1 Aux included in both frame “B” and “C” configuration, no additional cost

## *Installation and Maintenance Made Easy*

- Sliding din rail and line terminals for easy/quick maintenance & assembly
- Simple # 1 - # 2 - # 3 steps to configure a complete CMC in Bidman
- Cover control and O/L factory installation
- ON/OFF rotary handle with lockout provision
- No complicated wire schematics to read

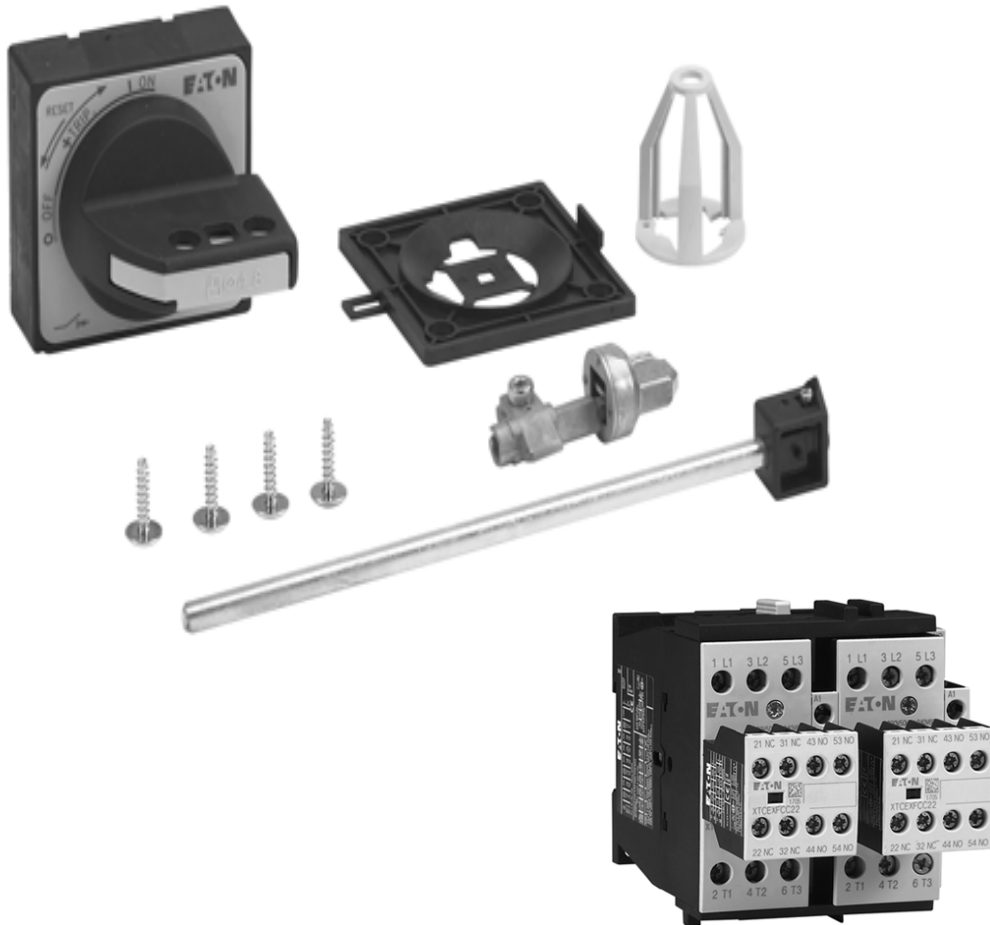
# XT IEC Power Control

## How do all these pieces come together?



# XT IEC Power Control

## How do all these pieces come together?

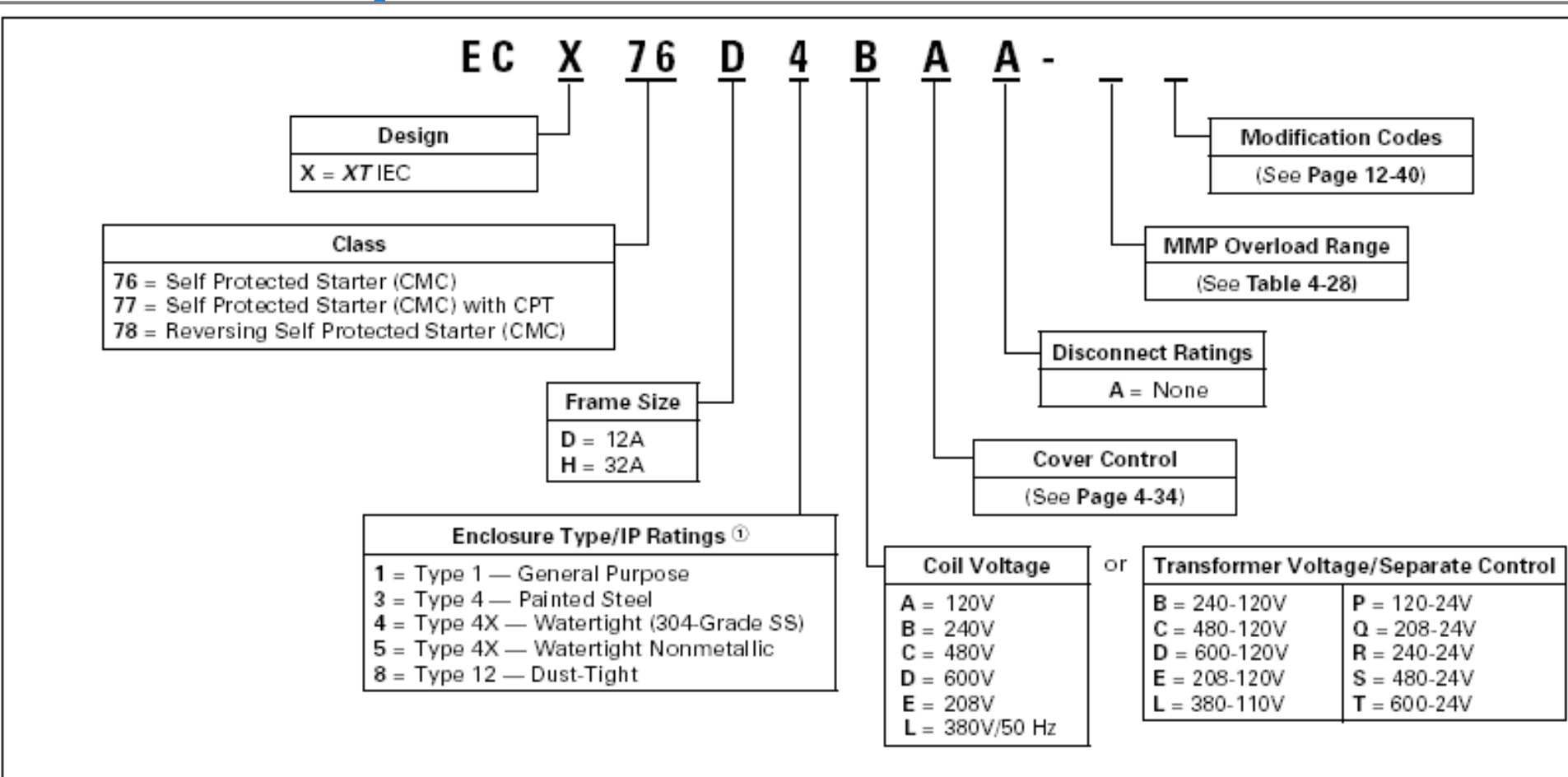


# Easy Steps assembly for **XT CMC** (25HP reversing unit)



# XT IEC Enclosed CMC

## What Options are Available?



# XT IEC Enclosed CMC

## What Option are Available?

**Table 4-25. Non-reversing Cover Control**

Description	Factory Installed Flange Control		Field Installation Kits	
	Position 9 Alpha	Combination	Combination	
		Adder	Catalog Number	Price
No Cover Mounted Pilot Devices START/STOP Pushbuttons with Red RUN Pilot Light with Red RUN/Green OFF Lights	A		—	
	B		C400T1	
	C		—	
	D		—	
ON/OFF Pushbuttons with Red RUN Pilot Light with Red RUN/Green OFF Lights	E		C400T2	
	F		—	
	G		—	
HAND/OFF/AUTO Selector Switch with Red RUN Pilot Light with Red RUN/Green OFF Lights	H		C400T12	
	J		—	
	K		—	
START Pushbutton ON Pushbutton OFF Pushbutton Red RUN Pilot Light Green OFF Red RUN/Green OFF Pilot Lights	L		C400T3	
	M		C400T4	
	N		C400T5	
	P		C400T9 ①	
	Q		C400T10 ①	
	R		C400T11 ①	
START/STOP Selector Switch with Red RUN Pilot Light with Red RUN/Green OFF Lights	S		C400T13	
	T		—	
	U		—	
ON/OFF Selector Switch with Red RUN Pilot Light with Red RUN/Green OFF Lights	V		C400T14	
	W		—	
	X		—	

# XT IEC Enclosed CMC

## What Option are Available?

**Table 4-28. XTPR MMP Amperage Ranges**

XT MMP Catalog Number	Overload Amp Range	Enclosed Control Suffix Code
<b>Frame B Rotary MMP</b>		
XTPRP16BC1	.1 – .16	A
XTPRP25BC1	.16 – .25	B
XTPRP40BC1	.25 – .4	C
XTPRP63BC1	.4 – .63	D
XTPR001BC1	.63 – 1	E
XTPR1P6BC1	1 – 1.6	F
XTPR2P5BC1	1.6 – 2.5	G
XTPR004BC1	2.5 – 4	H
XTPR6P3BC1	4 – 6.3	J
XTPR010BC1	6.3 – 10	K
XTPR012BC1	8 – 12.0	L
XTPR016BC1	10 – 16.0	M
XTPR020BC1	16 – 20	N
XTPR025BC1	20 – 25	Q
XTPR032BC1	25 – 32	R



# XT IEC Enclosed CMC Project Acceleration Release

- XT Support Team (above standard CSC support):
  - Technical Support:
    - Eric Posma, 613-267-6170 Ext. 22 [Ericrposma@eaton.com](mailto:Ericrposma@eaton.com)
  - Enclosed Control Center Team Leader:
    - Denis Poirier, 613-267-6170, Ext. 30 [Denislpoirier@eaton.com](mailto:Denislpoirier@eaton.com)
  - Enclosed Power Control Product Manager:
    - Lorne Gould, 905-631-4220, [Lornergould@eaton.com](mailto:Lornergould@eaton.com)
  - XT CMC Literature: Literature Fulfillment (Guelph)
    - XT CMC sheet – SA.14XT.02.T.K