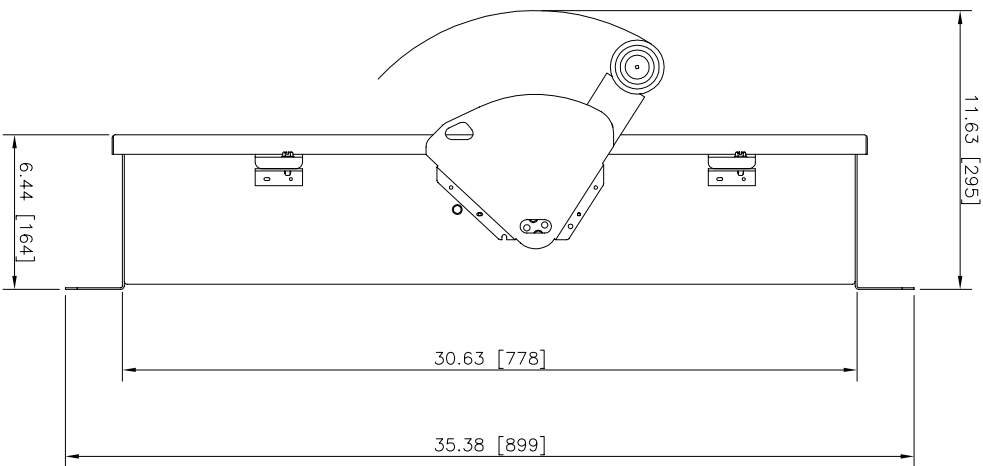
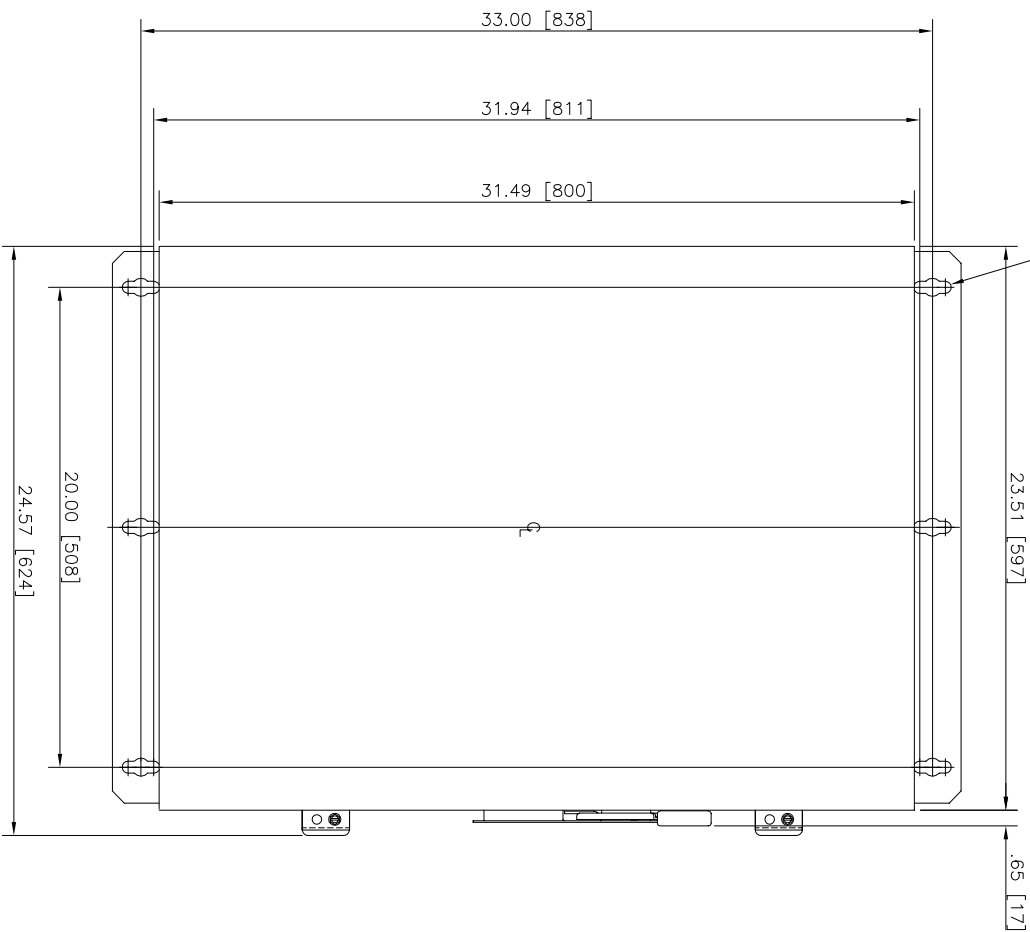


.50 [12.7] DIA. (6) MOUNTING HOLES



NOTE:  
METRIC DIMENSIONS (IN MILLIMETERS) ARE SHOWN  
IN BRACKETS.

THE INFORMATION ON THIS DRAWING IS THE PROPERTY OF EATON CORPORATION, IS DISCLOSED IN CONFIDENCE, AND IS  
NOT TO BE REPRODUCED, USED, OR DISCLOSED EXCEPT FOR THE PURPOSE FOR WHICH IT IS FURNISHED.

THIRD ANGLE PROJECTION

TITLE					
DIMENSIONS FOR 200 AMP 6 POLE TYPES 4X AND 12					
A	WS	JFB	6/20/97/9	MP	F. BISCHOF/1/97
B					
C					
WARREN SIPE 1/1/97					
FIRST ASSY. WHEN USED					

Cutter-Hammer **EATON** **C** **95-1373**