

General-Duty Safety Switch - Cartridge Fuse Design



General Duty

Application Description

For residential and commercial applications. Suitable for light-duty motor circuits and service entrance.

Product Description

- 30–600A
- 30A Plug type fusible 120V and 120/240V
- 30-60A 120/240V, fusible cartridge type and non fusible
- Fusible and non-fusible switches. Single-pole S/N through four-wire; 120/240, and 240 Vac
- Cartridge type general duty switches are certified for use on low voltage <60VDC circuits
- Solid neutral standard on all fusible general duty switches
- Fusible, cartridge type suitable for service entrance applications
- Type 1 and 3R enclosures
- Fusible and non-fusible switches are 100% load break and 100% load make rated
- The continuous load current of fusible switches is not to exceed 80% of the rating of fuses employed in other than motor circuits. Non-fusible switches are 100% continuous load rated
- 200–600A features K-Series design
- Horsepower rated
- Where applicable with Class R, J, T fuses, switches may be used on systems capable of delivering 100,000A rms symmetrical
- Bolt-on hub provision. Provided for general-duty switches in a Type 3R enclosure.

Note: Plug fuse switches are not service entrance rated.

Contents

Description	Page
Selection Guide	2
Product Overview	3
Catalogue Configurator	4
Options and Accessories	5
Technical Data and Specifications	7
Standard Terminal Capacities	7
Fuse Dimensions	8
Short Circuit Ratings	10
Flex/Satellite Modifications	12
Air Condition Disconnects	15
General Duty Switches	18
Product Description, Features	18
Standards and Certifications	18
Product Selection	19
Technical Data and Dimensions	21
Heavy Duty Switches	22
Heavy Duty Six-Pole Switches	32
Heavy Duty Double Throw Switches	35
Enviroline Switches	41
Heavy Duty Window Switches	44
Heavy Duty Receptacle Switches	48
Heavy Duty Voltage Indicator Switches	52
Hazardous Location Switches	54
Heavy Duty Quick Connect Switches	56
Solar Switches	60
Zone Blasting Switches	64
Elevator Control Switches	66
Grounding Switches	68
Enclosed Motor Disconnects	70
Pringle Bolted Pressure Switches	78
OEM Operating Mechanisms	85
CSA Enclosure Designations	91

General-Duty Features (Cartridge Fuse/Non Fusible type)

- Ample wire bending space provides for easier installation
- Visible double-break quick-make, quick-break rotary blade mechanism
- Side opening door on all enclosures
- Mechanically interlocked cover to prevent easy access when the switch is in the ON position
- Clearly visible and accessible neutral where applicable
- Visible ON/OFF indication
- Double padlocking capability on 30–100A
- Triple padlocking capability on 200–600A
- Additional door locking capability
- Fusible suitable for service entrance

Standards and Certifications

- CSA certified File No. 69743
- Meets C22.2 No.4 for enclosed switches
- ISO 9001:2008

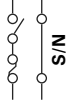
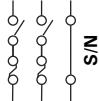


Product Selection

GP121N



120/240 Vac General-Duty, Fusible, Single-Throw (for screw type glass fuses)

System	Ampere Rating	Fuse Type Provision	Maximum Horsepower Ratings ^①				Type 1 Enclosure Indoor Catalogue Number	Type 3R Enclosure Rainproof Catalogue Number
			Single-Phase AC		Three-Phase AC	DC		
			120V	240V	240V	250V		
Plug Type—Two-Wire (One Blade, One Fuse, S/N)—120 Vac^{②③}								
	30	Plug	1/2-2	—	—	—	GP111N	—
Plug Type—Three-Wire (Two Blades, Two Fuses, S/N)—120/240 Vac^{②③}								
	30	Plug	1/2-2	1-1/2-3	—	—	GP121N	—

Notes

- ① Maximum hp ratings apply only when dual element time delay fuses are used.
- ② These switches do not have an interlock that prevents door from being opened when switch is in the ON position.
- ③ WARNING! Plug fuse GP switch is not approved for service entrance

Switching Devices

Safety Switches

CDG321NRB



120/240 Vac General-Duty, Fusible, Single-Throw, continued

System	Ampere Rating	Fuse Type Provision	Maximum Horsepower Ratings ^①			DC 250V	Type 1 Enclosure Indoor Catalogue Number	Type 3R Enclosure Rainproof Catalogue Number
			Single-Phase AC 120V	240V	Three-Phase AC 240V			
Cartridge Type—Three-Wire (Two Blades, Two Fuses, S/N)—120/240 Vac								
	30	H	—	1-1/2-3	3-7-1/2	—	CDG221NGB	CDG221NRB
	60	H	—	3-10	7-1/2-15	—	CDG222NGB	CDG222NRB
	100	H	—	7-1/2-15	15-30	—	CDG223NGB	CDG223NRB
	200	H	—	15	25-60	—	CDG224NGK	CDG224NRK
	400	H	—	—	50-125	50	G225N	3G225N
	600	H	—	—	75-200	—	G226N	3G226N
Cartridge Type—Four-Wire (Three Blades, Three Fuses, S/N)—120/240 Vac								
	30	H	—	1-1/2-3	3-7-1/2	—	CDG321NGB	CDG321NRB
	60	H	—	3-10	7-1/2-15	—	CDG322NGB	CDG322NRB
	100	H	—	7-1/2-15	15-30	—	CDG323NGB	CDG323NRB
	200	H	—	15	25-60	—	G324N	3G324N
	400	H	—	—	50-125	—	G325N	3G325N
	600	H	—	—	75-200	—	G326N	3G326N

CDG322URB



120/240 Vac General-Duty, Non-Fusible, Single-Throw

System	Ampere Rating	Maximum Horsepower Ratings ^①			DC 250V	Type 1 Enclosure Indoor Catalogue Number	Type 3R Enclosure Rainproof Catalogue Number
		Single-Phase AC 120V	240V	Three-Phase AC 240V			
Two-Pole, Two-Wire (Two Blades)—240 Vac							
	30	2	3	—	—	CDG221UGB ^②	DG221URB ^②
	60	3	10	—	—	CDG222UGB ^②	DG222URB ^②
	100	—	15	—	—	— ^②	— ^②
	200	—	—	—	—	— ^②	— ^②
Three-Pole, Three-Wire (Three Blades)—240 Vac							
	30	2	3	7-1/2	—	CDG321UGB	CDG321URB
	60	3	10	15	—	CDG322UGB	CDG322URB
	100	—	15	30	—	CDG323UGB	CDG323URB
	200	—	15	60	—	G324NF	3G324NF
	400	—	—	125	—	G325NF	3G325NF
	600	—	—	200	—	G326NF	3G326NF

Notes

① Maximum hp ratings apply only when dual element time delay fuses are used.

② Use three-wire catalogue numbers below.

All general-duty safety switches are individually packaged.

Accessories are limited in scope on general-duty safety switches. See **Page 5 and 6** for selection. Clear line shields are available as an accessory on 200–600A general-duty switches.

Note: For “J” fusing on General Duty 30-200A use Heavy Duty switch no modification available.

For “J” fusing on General Duty 400-600A, field modification required.

400A, reposition loadside fuse block to accept ‘J’ fuse.

600A, fuse kit adapter for ‘J’ fusing included with switch. For adaptation to “R” and “T” fusing see accessory page 5.

Technical Data and Specifications for General Duty Switches

Short-Circuit Ratings Using Class “R”, “J” or “T” Fusing Where Applicable

Ampere Rating	Voltage Ratings	
	Type 1	Type 3R
30	100k at 240	100k at 240
60	100k at 240	100k at 240
100	100k at 240	100k at 240
200	100k at 240	100k at 240
400	100k at 250	100k at 250
600	100k at 250	100k at 250

Dimensions

Approximate Dimensions in Inches (mm)

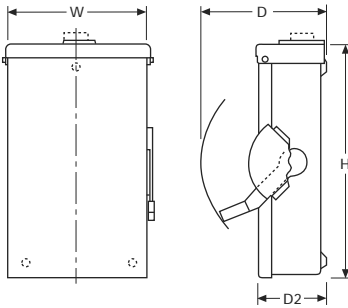
General Duty, Plug Fuse Type 120V, 120/240V, Single-, Two-Pole Solid Neutral, Single-Throw[Ⓜ]

Ampere Rating	Height	Width	Depth	Weight Lbs/(kg)
30	6.88 (174.8)	4.94 (125.5)	3.44 (87.4)	2(.9)

General-Duty, Non-Fusible, 240V, Three-Pole, Single-Throw[Ⓜ]

Ampere Rating	Width (W)	Height (H)	Depth (D)	Depth (D2)	Weight Lbs (kg)
Type 1					
30	6.38 (162.1)	10.69 (271.5)	6.88 (174.8)	3.75 (95.2)	6 (2.724)
60	8.69 (220.7)	14.19 (360.4)	7.38 (187.5)	4.21 (106.9)	9 (4.086)
100	9.13 (231.9)	18.81 (477.8)	7.38 (187.5)	4.23 (107.4)	12 (5.448)
200	16.00 (406.4)	25.25 (641.4)	11.25 (285.8)	6.14 (156.0)	48 (21.792)
400	23.00 (584.2)	44.75 (1136.7)	12.63 (320.8)	7.27 (184.7)	100 (45.4)
600	24.00 (609.6)	52.25 (1327.2)	14.25 (362.0)	8.95 (227.3)	130 (59.02)
Type 3R					
30	6.38 (162.1)	10.81 (274.6)	6.88 (174.8)	3.75 (95.2)	6 (2.724)
60	8.69 (220.7)	14.38 (365.3)	7.38 (187.5)	4.21 (106.9)	9 (4.086)
100	9.13 (231.9)	19.25 (489.0)	7.38 (187.5)	4.23 (107.4)	12 (5.448)
200	16.00 (406.4)	25.50 (647.7)	11.25 (285.8)	6.14 (156.0)	55 (24.97)
400	23.00 (584.2)	45.19 (1147.8)	12.63 (320.8)	7.27 (184.7)	105 (47.67)
600	24.00 (609.6)	52.70 (1338.6)	14.25 (362.0)	8.95 (227.3)	135 (61.29)

Type 1-3R 30–100A General-Duty Non-Fusible and Fusible Single-Throw[Ⓜ]



Notes

- Ⓜ Dimensions are for estimating purposes only.
- Ⓜ Figure is not applicable to plug fuse design.

Terminal Capacity for General Duty 240V

Ampere	Line/Load (per phase)	Ground	Neutral Catalogue #	Neutral Terminal Capacity
30 (GP type)	#14 - #8	#14 - 4	—	#14 - #8
30	#14 - #6	#14 - 4	DG030NB	3x #14 - #4
60	#14 - 1/0	#14 - 4	DG100NB	3x #14 - 1/0
100	#14 - 1/0	#14 - 4	DG100NB	3x #14 - 1/0
200	#6 - 250mcm	#14 - 4	DG200NK	2x #6 - 250mcm AND 2x #14 - #2
400	(2) 1/0 - (2)300mcm OR (1) 1/0 - 750mcm	#6 - 200mcm	DS400NK	2x 1/0 - 750mcm OR (2) 1/0 - (2)300mcm AND 3x #6 - 250mcm
600	(1) #2 - 600mcm AND (1) 1/0 - 750mcm	#6 - 200mcm	DS600NK	2 x 1/0 - (1)750mcm OR 1/0 - (2) 300mcm AND 1 x #2 - 600mcm AND 3 x #6 - 250mcm

Notes

Use neutral catalogue number when neutral not included with switch
All terminals are rating al/cu unless otherwise noted
For optional ground lug kits see page 5

General-Duty, Fusible (cartridge type), 240V, Three-Pole Solid Neutral, Single-Throw[Ⓜ]

Ampere Rating	Width (W)	Height (H)	Depth (D)	Depth (D2)	Weight Lbs (kg)
Type 1					
30	6.38 (162.1)	10.69 (271.5)	6.88 (174.8)	3.75 (95.2)	6 (2.724)
60	8.69 (220.7)	14.19 (360.4)	7.38 (187.5)	4.21 (106.9)	10 (4.54)
100	9.13 (231.9)	18.81 (477.8)	7.38 (187.5)	4.23 (107.4)	14 (6.356)
200	16.00 (406.4)	24.75 (628.7)	11.25 (285.8)	6.14 (156.0)	48 (21.792)
400	23.00 (584.2)	44.75 (1136.7)	12.63 (320.8)	7.27 (184.7)	110 (49.94)
600	24.00 (609.6)	52.25 (1327.2)	14.25 (362.0)	8.95 (227.3)	145 (65.83)
Type 3R					
30	6.38 (162.1)	10.81 (274.6)	6.88 (174.8)	3.75 (95.2)	6 (2.724)
60	8.69 (220.7)	14.38 (365.3)	7.38 (187.5)	4.21 (106.9)	10 (4.54)
100	9.13 (231.9)	19.25 (489.0)	7.38 (187.5)	4.23 (107.4)	14 (6.356)
200	16.00 (406.4)	25.50 (647.7)	11.25 (285.8)	6.14 (156.0)	55 (24.97)
400	23.00 (584.2)	45.19 (1147.8)	12.63 (320.8)	7.27 (184.7)	115 (52.21)
600	24.00 (609.6)	52.70 (1338.6)	14.25 (362.0)	8.95 (227.3)	150 (68.1)

Type 1-3R 200–600A General-Duty Non-Fusible and Fusible Single-Throw

