

Pin & Sleeve Type Receptacle Switch



Pin & Sleeve Receptacle Switches

Application Description

These switches are used with pin & sleeve type power plugs for portable power applications such as welders, infrared ovens, batch feeders, conveyors, truck and marine docks.

Product Description

These heavy-duty switches are pre-wired and interlocked to polarized receptacles for three-phase, three-wire, grounded type power plugs. Referred as 3W4P (4th pole used for grounding).

Receptacles are interlocked to the handle mechanism so that power plugs may not be inserted or removed when the switch is in the ON position.

- 30–100A
- 600VAC
- Fusible and non-fusible
- Type 12/3R painted steel, 4X stainless enclosure and receptacle rating
- 200A and 400A receptacles available upon request - Note 200A and 400A not mechanically interlocked

Contents

Description	Page
Selection Guide	2
Product Overview	3
Catalogue Configurator	4
Options and Accessories	5
Technical Data and Specifications	7
Standard Terminal Capacities	7
Fuse Dimensions	8
Short Circuit Ratings	10
Flex/Satellite Modifications	12
Air Condition Disconnects	15
General Duty Switches	18
Heavy Duty Switches	22
Heavy Duty Six-Pole Switches	32
Heavy Duty Double Throw Switches	35
Enviroline Switches	41
Heavy Duty Window Switches	44
Heavy Duty Receptacle Switches	48
Product Description, Features	48
Standards and Certifications	48
Product Selection	49
Technical Data and Dimensions	50
Heavy Duty Voltage Indicator Switches	52
Hazardous Location Switches	54
Heavy Duty Quick Connect Switches	56
Solar Switches	60
Zone Blasting Switches	65
Elevator Control Switches	66
Grounding Switches	68
Enclosed Motor Disconnects	70
Pringle Bolted Pressure Switches	78
OEM Operating Mechanisms	85
CSA Enclosure Designations	91

- Utilizes Powertite®, Arktite®, or Max-Gard® series pin and sleeve receptacles
- Windows available upon request
- 3W 3P receptacles available upon request
- Receptacles with a 22.5 degree interior rotation available upon request
- Receptacles with reverse contacts available upon request
- Power plugs not supplied with the receptacle

Standards and Certifications

- CSA certified File No. 69743
- Meets C22.2 No.4 standard for enclosed switches
- ISO - 9001:2008



Product Selection

600 Vac Heavy-Duty, Single-Throw with Pin & Sleeve Type Receptacle, Fusible, Non-Fusible

DH362FDK2WR

**Safety Switch with Pin and Sleeve Type Receptacle, Three-Pole, 600 Volt Single Throw – Fusible**

Ampere Rating			Type 12 Enclosure Dusttight Catalogue Number ^②	Type 4X Enclosure Corrosion Resistant, Stainless Steel Catalogue Number	Power Plug ^①
Switch	Receptacle	Maximum Horsepower Rating with Time Delay Fuses			
Crouse-Hinds ARKTITE® Receptacle					
30	30	20	12HD361CHR	4HD361CHR	Accepts Crouse-Hinds APJ3485
60	60	50	12HD362CHR	4HD362CHR	APJ6485
100	100	75	12HD363CHR	4HD363CHR	APJ10487
Appleton POWERTITE® Receptacle					
30	30	20	12HD361AER	4HD361AER	Accepts Appleton ACP3034BC
60	60	50	12HD362AER	4HD362AER	ACP6034BC
100	100	75	12HD363AER	4HD363AER	ACP1034CD
M-R-S (Russellstoll) MAX-GARD® Receptacle					
30	30	20	12HD361RSR ^③	③	Accepts Russellstoll DS3404MP
60	60	50	12HD362RSR ^③	③	DS6404MP
100	100	75	12HD363RSR ^③	③	DS1404MP

Safety Switch with Pin and Sleeve Type Receptacle, Three-Pole, 600 Volt Single Throw – Non-Fusible

Ampere Rating			Type 12 Enclosure Dusttight Catalogue Number ^②	Type 4X Enclosure Corrosion Resistant, Stainless Steel Catalogue Number	Power Plug ^①
Switch	Receptacle	Maximum Horsepower Rating with Time Delay Fuses			
Crouse-Hinds ARKTITE® Receptacle					
30	30	30	12HD361NFCHR	4HD361NFCHR	Accepts Crouse-Hinds APJ3485
60	60	60	12HD362NFCHR	4HD362NFCHR	APJ6485
100	100	75	12HD363NFCHR	4HD363NFCHR	APJ10487
Appleton POWERTITE® Receptacle					
30	30	30	12HD361NFAER	4HD361NFAER	Accepts Appleton ACP3034BC
60	60	60	12HD362NFAER	4HD362NFAER	ACP6034BC
100	100	75	12HD363NFAER	4HD363NFAER	ACP1034CD

Notes

- ① Power plugs are not included with switch and not available through Eaton.
- ② Type 12 enclosures can be field modified to meet Type 3R rainproof rating when factory provided drain hole is opened.
- ③ Contact Customer Support (1-800-268-3578) for availability of this product.
For viewing window add 'W' to suffix of catalogue number.

Switching Devices

Safety Switches

Technical Data and Specifications - For Heavy Duty Switches with Pin and Sleeve Receptacles

Short-Circuit Ratings Using Class "R", "J" or "T" Fusing Where Applicable

Ampere Rating	Voltage Ratings			
	Type 1	Type 3R	Type 12/3R	Type 4X
30	—	—	200k at 600	200k at 600
60	—	—	200k at 600	200k at 600
100	—	—	200k at 600	200k at 600

Note

Class "H" fuse clips supplied as standard. Rated at 10,000 rms symmetrical when using Class "H" fuses.

Fuse Class Adaptation

Safety Switch Type	Standard Fuse Class Clips Supplied with Switch	Adaptable to Accept the Following Fuse Class		
		R	J	T
Pin & Sleeve Receptacle Switch	H	30A-100A	60A-100A	—

Note

- For 'J' Fusing on 600V heavy duty with receptacle field modification required.
- 30A reposition fuse clips on loadside of fuse base for 'J' fusing.
 - 60A reposition fuse clips on loadside of fuse base for 'J' fusing.
 - 100A reposition loadside fuse blocks to accept 'J' fusing.

Terminal Capacity for Heavy Duty Safety Switch with pin & sleeve receptacles 600V Max

Ampere	Line/Load Terminal Capacity (per phase)	Ground terminal Capacity	Neutral Catalogue #	Neutral Terminal Capacity
30	#14 - #2	#14 - 4	DH030NK	4x #14 - #2
60	#14 - #2	#14 - 4	DH030NK	4x #14 - #2
100	#14 - 1/0	#14 - 4	DH100NK	2x #14-#2 AND 2x #14 - 1/0

Note

* Order neutral catalogue number when neutral required and not included with switch.
 All terminals are rating al/cu unless otherwise noted.
 Ground terminal is standard on all switches. For optional ground lug kits or copper lug kits see pages 5 and 6.

Dimensions

Approximate Dimensions in Inches (mm)

Note: Dimensions are for estimating purposes only.

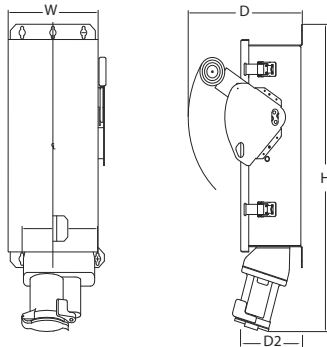
Heavy-Duty, Non-Fusible, 600V, Three Pole, Single Throw, with Crouse Hinds Pin & Sleeve Receptacle

Ampere Rating	Width (W)	Height (H)	Depth (D)	Depth (D2)	Weight	Weight
					Lbs (kg) Type 12	Lbs (kg) Type 4X
Type 12, 4X Stainless Steel						
30	8 (203)	24.13 (612)	10.25 (260)	5.5 (140)	23 (10.5)	32 (14.54)
60	8 (203)	24.13 (612)	10.25 (260)	5.5 (140)	23 (10.5)	34 (15.45)
100	11.13 (281)	30.88 (786)	10.25 (260)	5.5 (140)	28 (12.7)	32 (14.54)

Heavy-Duty, Fusible, 600V, Three Pole, Single Throw, with Crouse Hinds Pin & Sleeve Receptacle

Ampere Rating	Width (W)	Height (H)	Depth (D)	Depth (D2)	Weight	Weight
					Lbs (kg) Type 12	Lbs (kg) Type 4X
Type 12, 4X Stainless Steel[Ⓢ]						
30	8 (203)	24.13 (612)	10.25 (260)	5.5 (140)	23 (10.5)	35 (15.9)
60	8 (203)	24.13 (612)	10.25 (260)	5.5 (140)	23 (10.5)	35 (15.9)
100	11.13 (281)	30.88 (786)	10.25 (260)	5.5 (140)	28 (12.7)	36 (16.36)

Switch with Crouse Hinds Receptacle 30, 60, 100A



Note

Type 12 enclosures can be field modified to meet type 3R rainproof requirements when factory provided drain hole is opened.

Depth listed is for non window design.

For 30 - 100A window version increase depth (D) by 1.22" (32mm) and (D2) by .8" (20mm)

Heavy-Duty, Non-Fusible, 600V, Three Pole, Single Throw, with Appleton Pin & Sleeve Receptacle

Ampere Rating	Width (W)	Height (H)	Depth (D)	Depth (D2)	Weight	Weight
					Lbs (kg) Type 12	Lbs (kg) Type 4X
Type 12, 4X Stainless Steel						
30	8 (203)	23.5 (597)	10.25 (260)	5.5 (140)	23 (10.5)	31 (14.1)
60	8 (203)	23.5 (597)	10.25 (260)	5.5 (140)	23 (10.5)	31 (14.1)
100	11.13 (281)	29.5 (749)	10.25 (260)	5.5 (140)	28 (12.7)	36 (16.3)

Heavy-Duty, Fusible, 600V, Three Pole, Single Throw, with Appleton Pin & Sleeve Receptacle

Ampere Rating	Width (W)	Height (H)	Depth (D)	Depth (D2)	Weight	Weight
					Lbs (kg) Type 12	Lbs (kg) Type 4X
Type 12, 4X Stainless Steel						
30	8 (203)	23.5 (597)	10.25 (260)	5.5 (140)	23 (10.5)	31 (14.1)
60	8 (203)	23.5 (597)	10.25 (260)	5.5 (140)	23 (10.5)	31 (14.1)
100	11.13 (281)	29.5 (749)	10.25 (260)	5.5 (140)	28 (12.7)	36 (16.3)

Switch with Appleton Receptacle 30, 60, 100A

