

Sensor Mounting Brackets

Contents


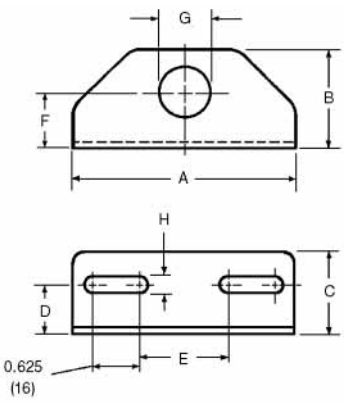

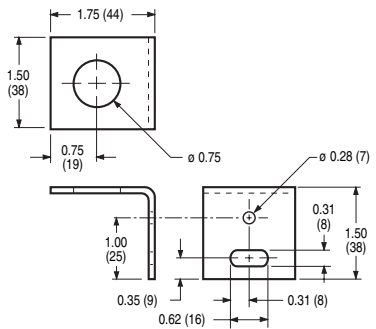
Overview 1
Model Selection..... 1


The Cutler-Hammer® Mounting Brackets by Eaton’s electrical business found in this section are suited for use with 8 mm to 30 mm diameter tubular sensors only. Cutler-Hammer Mounting Brackets designed to specifically fit other types of sensors are found in the respective “Accessories” sections for those sensor families.

When choosing a bracket, consider:

- **Adjustability** — Do you need minimal alignment capability (mounting an inductive proximity sensor), or a high level of alignment precision (mounting a long range photoelectric thru-beam sensor)?
- **Material of Construction** — This can be dictated by the sensing environment or the type of sensor you are using.

Model Selection — Mounting Brackets for Tubular Sensors

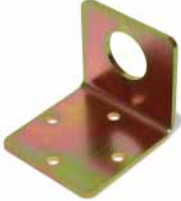
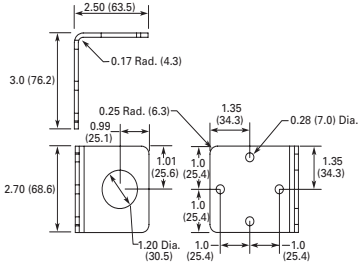

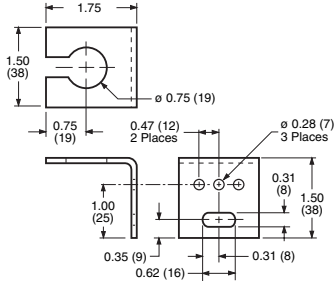

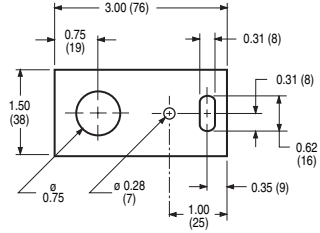

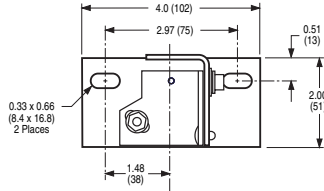
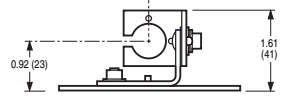

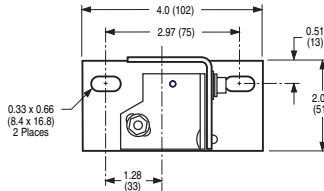
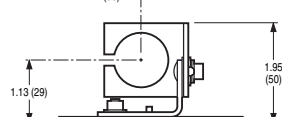
	Description	Size	Catalog Number	Approximate Dimensions in Inches (mm)																																																		
	Adjustability: Allows some adjustment in two axes Sensor Mounting: Sensor mounts with two jam nuts and washers (included with sensor) Material of Construction: Stainless steel Packaging: One per package	8 mm	E57KM8	 <table border="1" data-bbox="993 1081 1442 1243"> <thead> <tr> <th>Size</th> <th>A</th> <th>B</th> <th>C</th> <th>D</th> </tr> </thead> <tbody> <tr> <td>8 mm</td> <td>3.00 (76)</td> <td>1.35 (34)</td> <td>1.125 (29)</td> <td>0.65 (17)</td> </tr> <tr> <td>12 mm</td> <td>3.00 (76)</td> <td>1.35 (34)</td> <td>1.125 (29)</td> <td>0.65 (17)</td> </tr> <tr> <td>18 mm</td> <td>3.00 (76)</td> <td>1.35 (34)</td> <td>1.125 (29)</td> <td>0.65 (17)</td> </tr> <tr> <td>30 mm</td> <td>4.25 (108)</td> <td>2.15 (55)</td> <td>1.75 (45)</td> <td>1.00 (25)</td> </tr> </tbody> </table> <table border="1" data-bbox="993 1255 1442 1417"> <thead> <tr> <th>Size</th> <th>E</th> <th>F</th> <th>G</th> <th>H</th> </tr> </thead> <tbody> <tr> <td>8 mm</td> <td>1.20 (31)</td> <td>0.75 (19)</td> <td>0.323 (8)</td> <td>0.218 (6)</td> </tr> <tr> <td>12 mm</td> <td>1.20 (31)</td> <td>0.75 (19)</td> <td>0.484 (12)</td> <td>0.218 (6)</td> </tr> <tr> <td>18 mm</td> <td>1.20 (31)</td> <td>0.75 (19)</td> <td>0.718 (18)</td> <td>0.218 (6)</td> </tr> <tr> <td>30 mm</td> <td>2.00 (51)</td> <td>1.25 (29)</td> <td>1.203 (30)</td> <td>0.281 (7)</td> </tr> </tbody> </table>	Size	A	B	C	D	8 mm	3.00 (76)	1.35 (34)	1.125 (29)	0.65 (17)	12 mm	3.00 (76)	1.35 (34)	1.125 (29)	0.65 (17)	18 mm	3.00 (76)	1.35 (34)	1.125 (29)	0.65 (17)	30 mm	4.25 (108)	2.15 (55)	1.75 (45)	1.00 (25)	Size	E	F	G	H	8 mm	1.20 (31)	0.75 (19)	0.323 (8)	0.218 (6)	12 mm	1.20 (31)	0.75 (19)	0.484 (12)	0.218 (6)	18 mm	1.20 (31)	0.75 (19)	0.718 (18)	0.218 (6)	30 mm	2.00 (51)	1.25 (29)	1.203 (30)	0.281 (7)
		Size	A		B	C	D																																															
		8 mm	3.00 (76)		1.35 (34)	1.125 (29)	0.65 (17)																																															
		12 mm	3.00 (76)		1.35 (34)	1.125 (29)	0.65 (17)																																															
18 mm	3.00 (76)	1.35 (34)	1.125 (29)	0.65 (17)																																																		
30 mm	4.25 (108)	2.15 (55)	1.75 (45)	1.00 (25)																																																		
Size	E	F	G	H																																																		
8 mm	1.20 (31)	0.75 (19)	0.323 (8)	0.218 (6)																																																		
12 mm	1.20 (31)	0.75 (19)	0.484 (12)	0.218 (6)																																																		
18 mm	1.20 (31)	0.75 (19)	0.718 (18)	0.218 (6)																																																		
30 mm	2.00 (51)	1.25 (29)	1.203 (30)	0.281 (7)																																																		
12 mm	E57KM12																																																					
18 mm	E57KM18																																																					
30 mm	E57KM30																																																					
	Adjustability: Allows some adjustment in one axis and allows for aiming of the sensor through a short arc Sensor Mounting: Sensor mounts with two jam nuts and washers (included with sensor) Material of Construction: Aluminum with chromate finish Packaging: Two per package Same as 6161A-6501 (above), except: Packaging: Bulk packaged (ordered quantity will be sent bulk packed)	18 mm	6161A-6501																																																			
		18 mm	6161AS6501																																																			

 Stocked product, typical order quantities guaranteed in stock.

For Customer Service in the U.S. call **1-877-ETN CARE (386-2273)**,
in Canada call **1-800-268-3578**.
For Application Assistance in the U.S. and Canada
call **1-800-426-9184**.


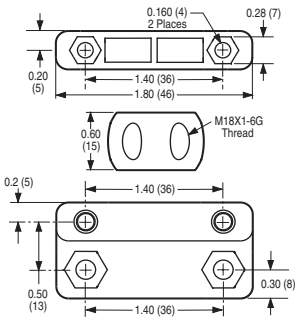

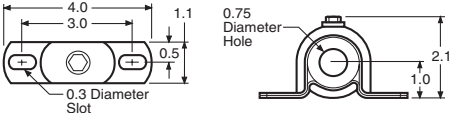

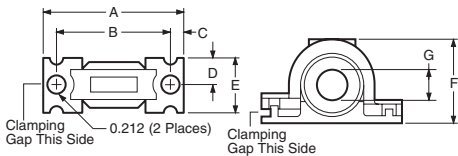


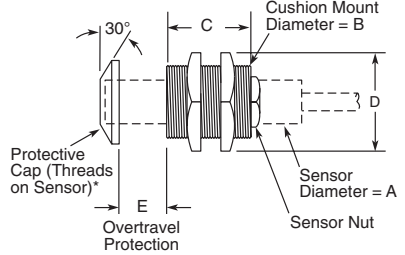
August 2007

Model Selection — Mounting Brackets for Tubular Sensors (Continued)

	Description	Size	Catalog Number	Approximate Dimensions in Inches (mm)
	<p>Allows a minimum range. Suitable for 30 mm sensors.</p> <p>Adjustability: Allows some adjustment in one axis</p> <p>Sensor Mounting: Sensor mounts with two jam nuts (included with sensor)</p> <p>Material of Construction: Zinc dichromate</p> <p>Packaging: One per package</p>	30 mm	6167A-6501	
	<p>Adjustability: Allows some adjustment in one axis and allows for aiming of the sensor through a short arc</p> <p>Sensor Mounting: Sensor mounts with two jam nuts and washers (included with sensor)</p> <p>Material of Construction: Aluminum with chromate finish</p> <p>Packaging: Bulk packaged (ordered quantity will be sent bulk packed)</p> <p>Note: Allows installation of sensor with jam nuts already in place on Sensor Body (Comet and Prism Sensors only).</p>	18 mm	6161AS7050	
	<p>Adjustability: Allows some adjustment in one axis and allows for aiming of the sensor through a short arc</p> <p>Sensor Mounting: Sensor mounts with two jam nuts and washers (included with sensor)</p> <p>Material of Construction: Aluminum with chromate finish</p> <p>Packaging: Bulk packaged (ordered quantity will be sent bulk packed)</p>	18 mm	6161AS5295	
	<p>Adjustability: Locking vertical and horizontal adjustments for independent adjustments in each axis</p> <p>Sensor Mounting: Sensor mounts with two jam nuts and washers (included with sensor)</p> <p>Material of Construction: 304 stainless steel</p> <p>Packaging: One per package</p> <p>Note: Sensor is electrically isolated from mounting surface.</p>	18 mm	E58KAM18	
	<p>Same as E58KAM18, except not electrically isolated from mounting surface.</p>	18 mm	E58KAM18U	
	<p>Adjustability: Locking vertical and horizontal adjustments for independent adjustment in each axis</p> <p>Sensor Mounting: Sensor mounts with two jam nuts (included with sensor)</p> <p>Material of Construction: 304 stainless steel</p> <p>Packaging: One per package</p> <p>Note: Sensor is electrically isolated from mounting surface.</p>	30 mm	E58KAM30	
	<p>Same as E58KAM30, except not electrically isolated from mounting surface.</p>	30 mm	E58KAM30U	

Stocked product, typical order quantities guaranteed in stock.

Model Selection — Mounting Brackets for Tubular Sensors (Continued)

	Description	Size	Catalog Number	Approximate Dimensions in Inches (mm) Except Where Noted																														
	Adjustability: Allows 360° rotation and 10° vertical tilt Sensor Mounting: Mounts directly to any 18 mm threaded sensor Material of Construction: 5% glass filled Valox® Packaging: One per package	18 mm	E58KAM18B																															
	Adjustability: Allows 5.5° rotation with screw lock to fix final position Sensor Mounting: Mounts directly to any 18 mm tubular sensor Material of Construction: Extremely rugged, made from zinc plated steel/Celenex® Packaging: One per package Note: Electrically isolates the sensor to prevent noise pick-up caused by poor grounding.	0.75 inch (18 mm)	6168A-6501	Note: Dimensions in Inches 																														
	Adjustability: Allows 10° rotation on X and Y axes with a clamping action to hold adjustment Sensor Mounting: Mounts directly to any 8 mm tubular sensor Material of Construction: Noryl (avoid exposing to chlorinated halogenated or aromatic hydrocarbons). Operating temperature: -40° to 160°F. Packaging: One per package	0.375 inch (8 mm)	6143A-6501																															
	Same as 6143A-6501 (above), except: Sensor Mounting: Mounts directly to any 18 mm tubular sensor	0.75 inch (18 mm)	6142A-6501	<table border="1"> <thead> <tr> <th>Size</th> <th>A</th> <th>B</th> <th>C</th> <th>D</th> </tr> </thead> <tbody> <tr> <td>8 mm</td> <td>1.96 (49.8)</td> <td>1.56 (39.6)</td> <td>0.20 (5.1)</td> <td>0.40 (10.2)</td> </tr> <tr> <td>18 mm</td> <td>2.80 (71.1)</td> <td>2.25 (57.2)</td> <td>0.275 (7.0)</td> <td>0.50 (12.7)</td> </tr> </tbody> </table> <table border="1"> <thead> <tr> <th>Size</th> <th>E</th> <th>F</th> <th>G</th> </tr> </thead> <tbody> <tr> <td>8 mm</td> <td>0.80 (20.3)</td> <td>1.05 (26.7)</td> <td>0.375 (9.5)</td> </tr> <tr> <td>18 mm</td> <td>1.00 (25.4)</td> <td>1.64 (41.7)</td> <td>0.75 (19.1)</td> </tr> </tbody> </table>	Size	A	B	C	D	8 mm	1.96 (49.8)	1.56 (39.6)	0.20 (5.1)	0.40 (10.2)	18 mm	2.80 (71.1)	2.25 (57.2)	0.275 (7.0)	0.50 (12.7)	Size	E	F	G	8 mm	0.80 (20.3)	1.05 (26.7)	0.375 (9.5)	18 mm	1.00 (25.4)	1.64 (41.7)	0.75 (19.1)			
Size	A	B	C	D																														
8 mm	1.96 (49.8)	1.56 (39.6)	0.20 (5.1)	0.40 (10.2)																														
18 mm	2.80 (71.1)	2.25 (57.2)	0.275 (7.0)	0.50 (12.7)																														
Size	E	F	G																															
8 mm	0.80 (20.3)	1.05 (26.7)	0.375 (9.5)																															
18 mm	1.00 (25.4)	1.64 (41.7)	0.75 (19.1)																															
	Precision machined, spring-loaded sleeves that hold tubular sensors to protect them from accidental impact due to overtravel of the target being sensed. Used for inductive proximity sensors only.	8 mm 12 mm 18 mm 30 mm	E57KNZ8 E57KNZ12 E57KNZ18 E57KNZ30	 <p>*NOTE: Sensing Range Will Be Reduced by Thickness of Cap's Wear Surface: 0.030 inch (0.76 mm) max.</p> <table border="1"> <thead> <tr> <th>Size</th> <th>A</th> <th>B</th> <th>C</th> <th>D</th> <th>E</th> </tr> </thead> <tbody> <tr> <td>8 mm</td> <td>M8 x 1</td> <td>M16 x 1.5</td> <td>0.87 (22)</td> <td>0.87 (22)</td> <td>0.35 (9)</td> </tr> <tr> <td>12 mm</td> <td>M12 x 1</td> <td>M22 x 1.5</td> <td>0.87 (22)</td> <td>1.12 (29)</td> <td>0.41 (10)</td> </tr> <tr> <td>18 mm</td> <td>M18 x 1</td> <td>M30 x 1.5</td> <td>1.17 (30)</td> <td>1.41 (36)</td> <td>0.49 (12)</td> </tr> <tr> <td>30 mm</td> <td>M30 x 1.5</td> <td>M47 x 1.5</td> <td>1.47 (37)</td> <td>1.72 (51)</td> <td>0.57 (15)</td> </tr> </tbody> </table>	Size	A	B	C	D	E	8 mm	M8 x 1	M16 x 1.5	0.87 (22)	0.87 (22)	0.35 (9)	12 mm	M12 x 1	M22 x 1.5	0.87 (22)	1.12 (29)	0.41 (10)	18 mm	M18 x 1	M30 x 1.5	1.17 (30)	1.41 (36)	0.49 (12)	30 mm	M30 x 1.5	M47 x 1.5	1.47 (37)	1.72 (51)	0.57 (15)
Size	A	B	C	D	E																													
8 mm	M8 x 1	M16 x 1.5	0.87 (22)	0.87 (22)	0.35 (9)																													
12 mm	M12 x 1	M22 x 1.5	0.87 (22)	1.12 (29)	0.41 (10)																													
18 mm	M18 x 1	M30 x 1.5	1.17 (30)	1.41 (36)	0.49 (12)																													
30 mm	M30 x 1.5	M47 x 1.5	1.47 (37)	1.72 (51)	0.57 (15)																													

Stocked product, typical order quantities guaranteed in stock.